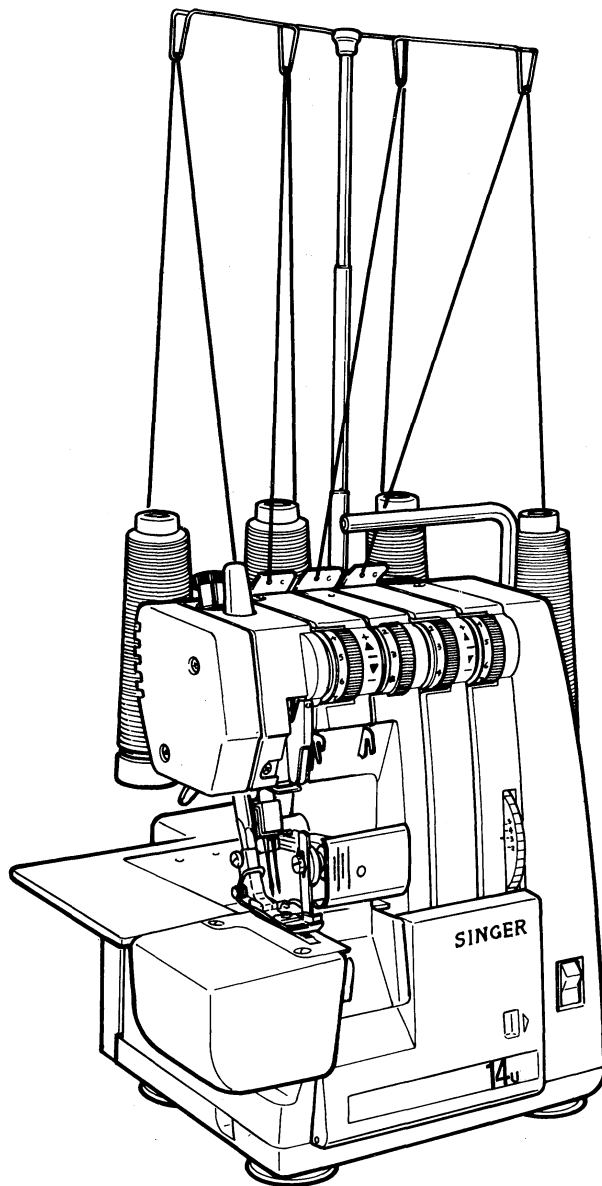


14_U 34B/234B

Operator's Guide



SINGER

14U 34B/234B

PREFACE

Thank you for your purchase of this sewing machine.

This machine intended for household use will provide you with excellent performance in sewing from light to heavy material (lawn to denim). Please refer to this booklet for proper use and optimum service. To get the most out of your sewing machine, read the entire operator's manual before attempting to operate the machine. Then familiarize yourself with the machine by following the operator's manual page by page.

To ensure that you are always provided with the most modern sewing capabilities, the manufacturer reserves the right to change the appearance, design or accessories of this sewing machine when considered necessary without notification or obligation.

IMPORTANT SAFETY INSTRUCTIONS

When using this machine, basic safety precautions should always be followed including the following.

Read all instructions before using this machine.

DANGER — To reduce the risk of electric shock:

- The machine should never be left unattended when plugged in. Always unplug the machine from the electric outlet immediately after using and before cleaning.
- Always unplug before relamping. Replace bulb with the same type rated 12 volt, 6 watts. Be sure to replace the face plate which covers the light bulb before operating the machine.

WARNING — To reduce the risk of burns, fire, electric shock or injury to persons:

- Be sure that the electrical voltage of the socket outlet (wall receptacle) is the same as the rated voltage of the motor.
- Use this machine only for its intended use as described in this Operator's Guide. Use only attachments recommended by the manufacturer as contained in the Operator's Guide.
- To disconnect, turn all controls to the off ("0") position, then remove plug from outlet.
- Disconnect the power line plug from the socket outlet or switch the machine off when making any adjustments in the needle area, such as threading needle and loopers, changing needle, changing throat plate or changing presser foot, etc.
- Always unplug the machine from the electrical outlet when removing covers, lubricating, or when making any other user servicing adjustments mentioned in the Operator's Guide.
- Do not attempt to adjust the motor belt. Contact your nearest Service Center should any adjustment be required.
- Do not unplug by pulling on cord. To unplug, grasp the plug, not the cord.
- Handle the foot controller with care and avoid dropping it on the floor. Be sure not to place anything on top of it.
- Always use the proper throat plate. The wrong plate can cause the needle to break.
- Do not use bent needles.
- When sewing, keep fingers away from all moving parts. Special care is required around the sewing machine needle.
- Do not pull or push fabric while stitching. It may deflect the needle causing it to break.
- For double insulated machines, when servicing use only identical replacement parts. See instructions for Servicing of Double-Insulated Appliances.
- Use only the handle to lift and move the machine.
- Never operate the machine if it has a damaged cord or plug, if it is not working properly, if it has been dropped or damaged, or dropped into the water. Return the machine to the nearest authorized dealer or Service Center for examination, repair, electrical, or mechanical adjustment.
- Never operate the machine with any air openings blocked. Keep ventilation openings of the machine and foot controller free from the accumulation of lint, dust, and loose cloth.

- Never drop or insert any object into any opening.
- Do not use outdoors.
- Do not operate where aerosol (spray) products are being used or where oxygen is being administered.
- Do not allow to be used as a toy. Close attention is necessary when the machine is used by or near children.
- Do not expose the machine or machine plastic case to sunlight directly. Also, do not keep it in a very warm or damp place.
- **SERVICING OF DOUBLE-INSULATED PRODUCTS.** In a double-insulated product, two systems of insulation are provided instead of grounding. No grounding means is provided on a double-insulated product, nor should a means for grounding be added to the product. Servicing of a double-insulated product requires extreme care and knowledge of the system, and should be done only by qualified service personnel. Replacement parts for a double-insulated product must be identical to those parts in the product. A double-insulated product is marked with the words "DOUBLE-INSULATION" or "DOUBLE-INSULATED."

SAVE THESE INSTRUCTIONS

Servicing should be performed by an authorized service representative.

This product is intended for household use.

FOR EUROPEAN AND SIMILAR TERRITORIES :

This product is suppressed for radio and television interference with the International Electrotechnical Commission requirements of the CISPR.

Machines for Great Britain and some other countries having similar wiring standards are shipped from the factory without a plug for connection to the mains. The wires in this mains lead are colored in accordance with the following code.

Blue: neutral (N)

Brown: live (L)

As the colors of the wires in the mains lead of this appliance may not correspond with the colored markings identifying the terminals in your plug, proceed as follows:

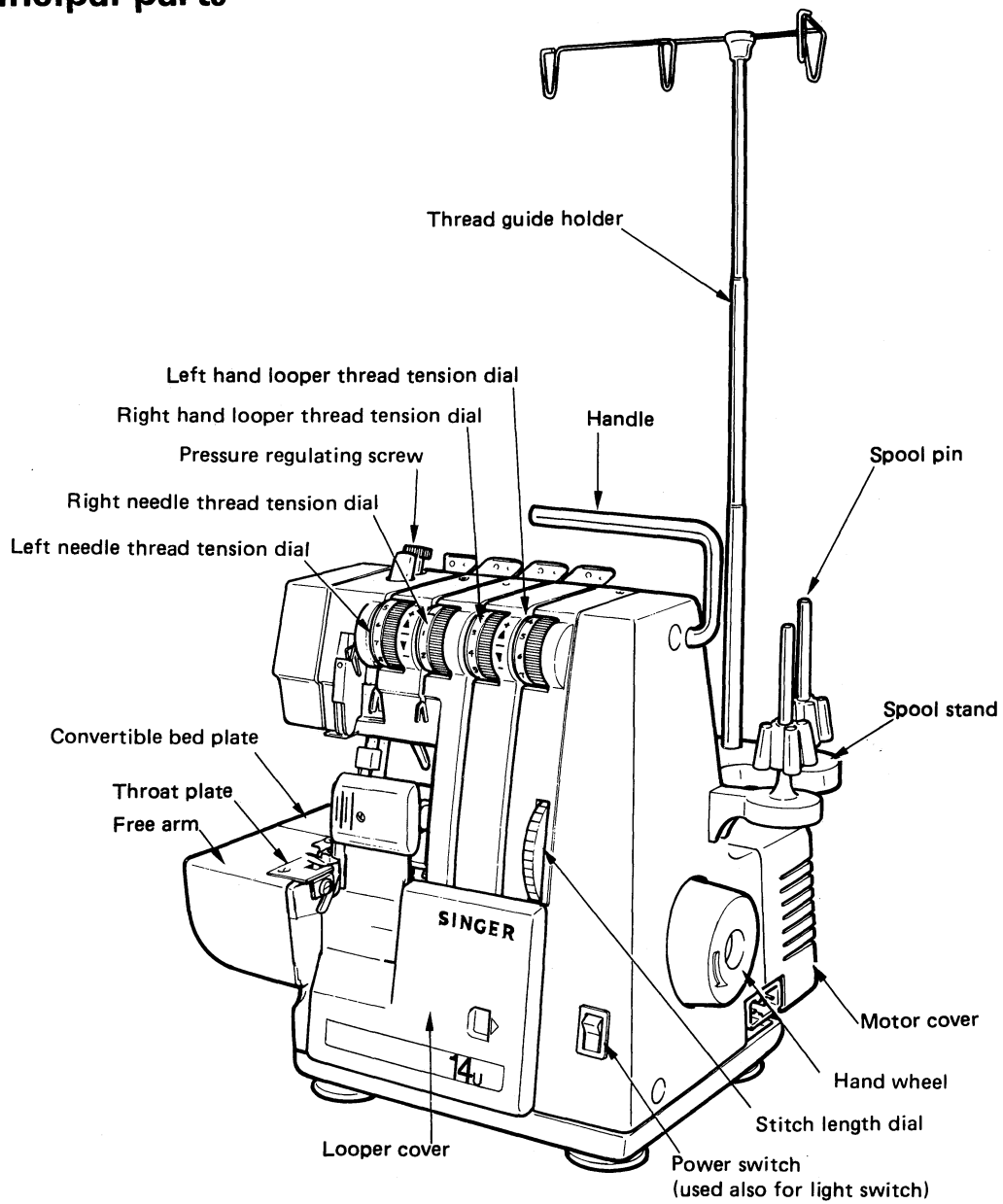
The wire which is colored blue must be connected to the terminal which is marked with the letter N or colored black. The wire which is colored brown must be connected to the terminal which is marked with letter L or colored red. If a 13 Amp. (BS 1363) plug is used, a 3 Amp. fuse must be fitted, or if any other type of plug is used, a 5 Amp. fuse must be fitted either in the plug or adaptor or at the distribution board.

Neither cord is to be connected to the earth terminal of a three-pin plug.

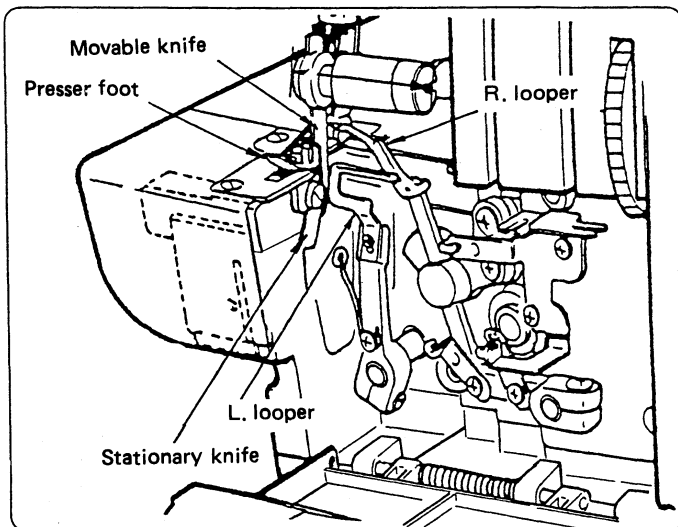
CONTENTS

	Page
1. Principal parts	2
2. Preparation prior to sewing	3
3. Threading the machine	4
• Setting up the thread guide holder	4
• How to open looper cover	4
• How to remove cylinder cover	4
• How to thread your machine correctly	5
• How to change threads	8
4. Chain off and test sew	8
5. 1-Needle, 3-Threads overedge stitching	9
6. How to adjust thread tension	10
7. How to adjust stitch length	12
8. How to adjust overedge seam width	12
9. How to do rolled hemming	13
10. Differential feed (with differential feed machine only)	15
• Gathered overedge	15
• Stretch overedge	16
11. Free arm sewing (tubular work)	17
12. Seam guide lines	17
13. Edge guide (optional parts)	17
14. Variation stitch	18
• Ornamental stitching	18
• Blindstitching	19
• Braiding by chaining-off	19
• Pin tucking	20
• Turning square corners	20
15. How to replace needles	21
16. How to replace stationary knife	22
17. How to exchange light bulb	22
18. How to adjust presser foot pressure	22
19. Cleaning	23
20. Reasons for poor stitches and how to make adjustment	24
21. Relationship between cloth, thread and needle	25
22. Accessories	26
23. Specification	26

1. Principal parts

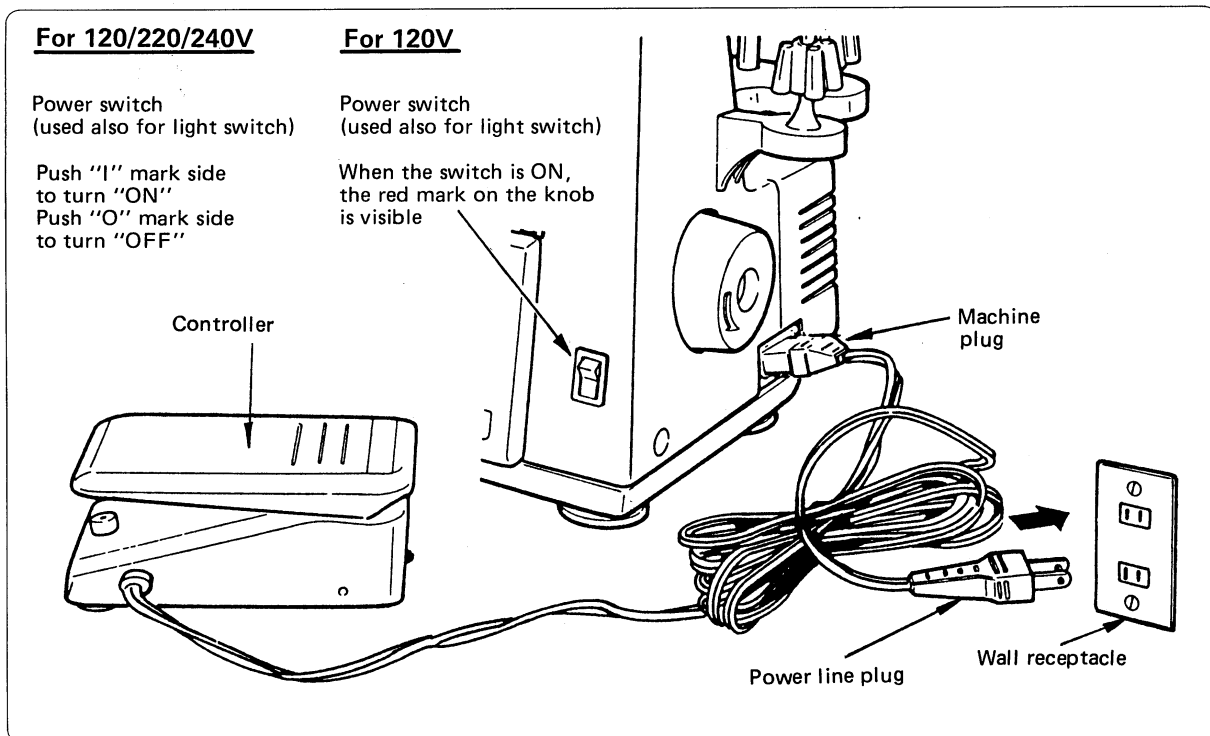


● Machine with looper cover opened



2. Preparation prior to sewing

Connect the machine plug to the electrical receptacle of your machine and the power line plug to the wall receptacle.



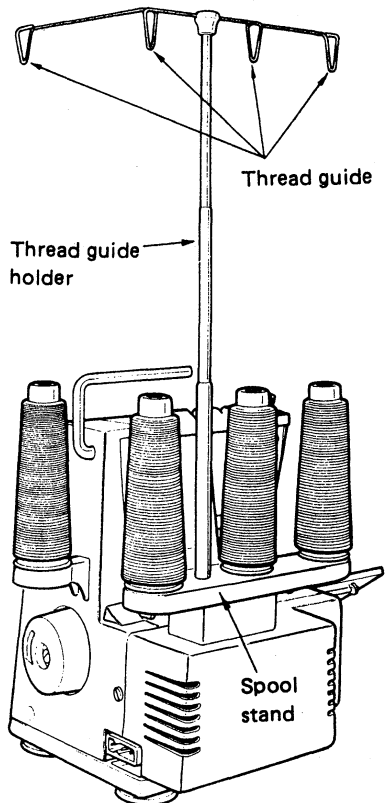
To run the machine and control the speed, press the speed controller. The harder you press, the faster the machine will sew. To stop the machine from sewing, remove your foot from the speed controller.

Warning:

- Be sure that the electrical voltage of the socket outlet (wall receptacle) is the same as the rated voltage of the motor.
- Handle the foot controller with care and avoid dropping it on the floor. Be sure not to place anything on top of it.
- Disconnect the power-line plug from the socket outlet when changing needles, presser feet or throat plates, or when leaving the machine unattended. This eliminates the possibility of starting the machine by accidentally pressing the speed controller.
- Before cleaning your machine, disconnect the power-line plug from the socket outlet.

3. Threading the machine

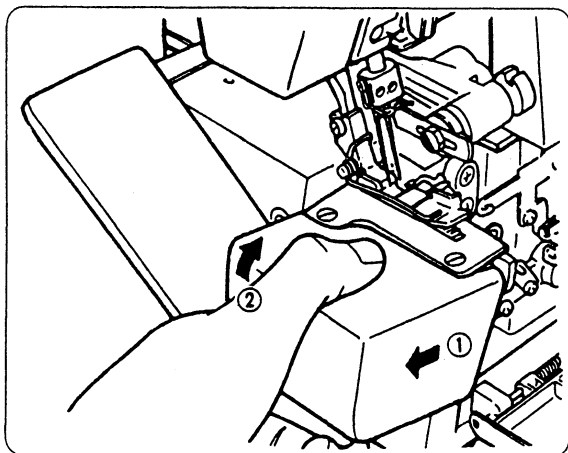
- Setting up the thread guide holder



Extend the thread guide holder as far as possible and set the thread guides so that they are located right above the spool pins.

Place the thread on the spool stand as shown above.

- How to remove cylinder cover



- ① While pulling the cylinder cover to the left,
- ② Lift cover upward and off the machine.

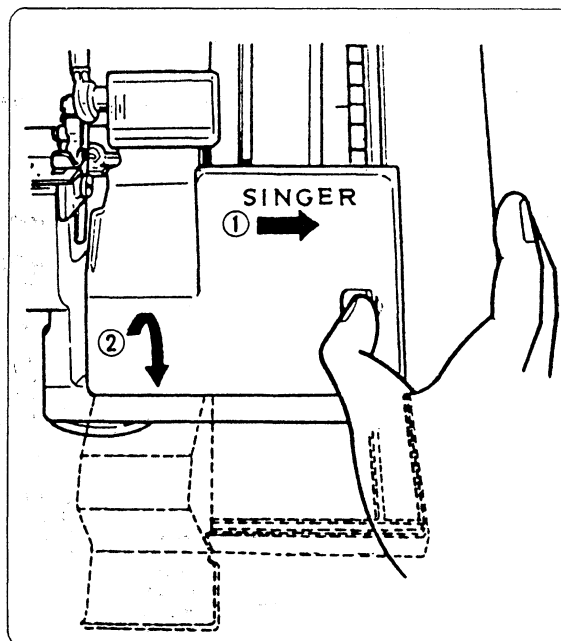
Warning:

Do not hold the cylinder cover when lifting or carrying the machine.

Caution:

Be sure cylinder cover is replaced when sewing.

- How to open looper cover

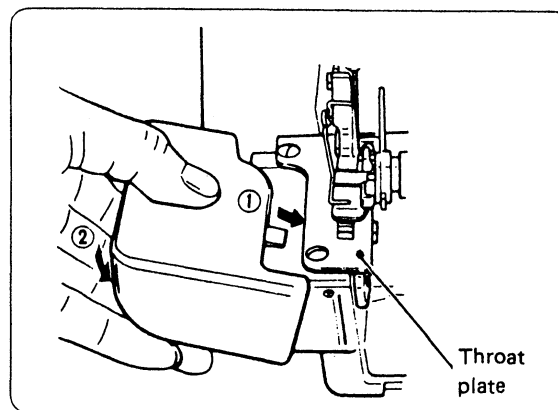


- ① Push the cover to the right as far as it will go and
- ② Pull cover down toward you.

Caution:

* Be sure looper cover is closed when sewing.

To replace cover



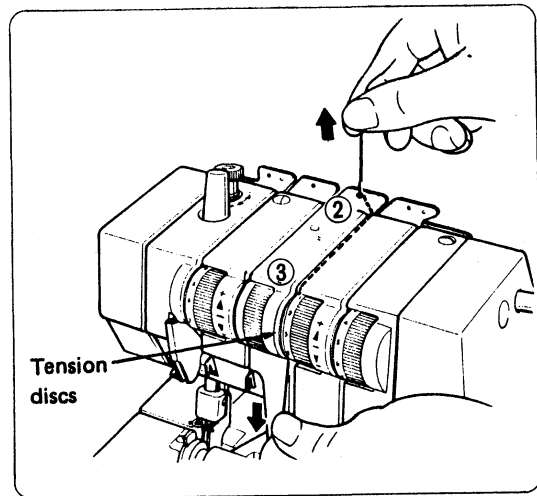
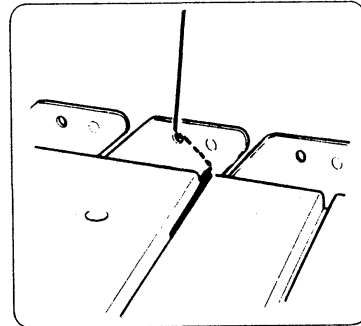
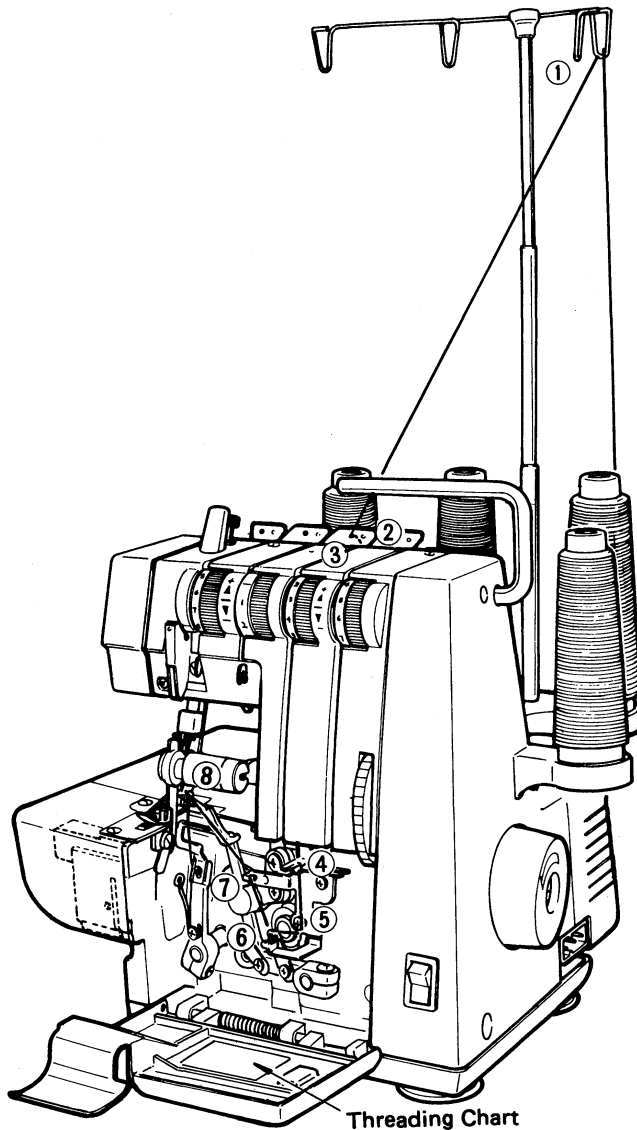
- ① Place tab on top of cover under the throat plate.
- ② Press cover downward to the right.

● **How to thread your machine correctly**

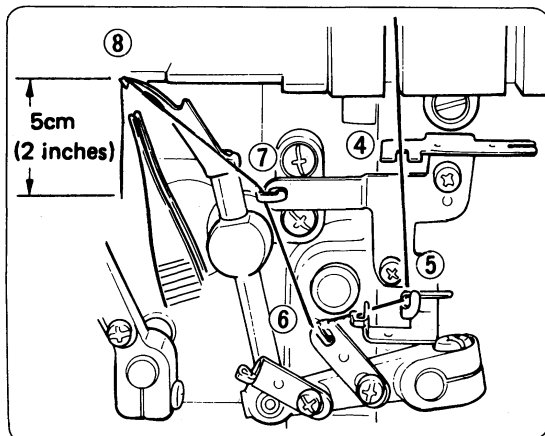
Correct sewing cannot be obtained when machine is threaded incorrectly.

Threading is diagrammed on the inner side of the looper cover and identified with colors on the various thread guides.

- (1) Open looper cover. Thread the right looper in the order ① to ⑧ as indicated in the figure below: (threading points marked in orange)



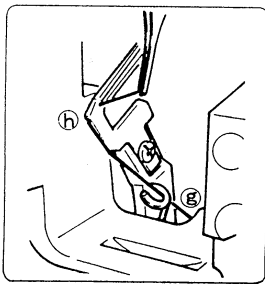
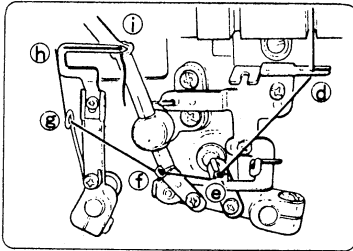
While holding thread with finger, pass it between the tension discs and pull thread down to make certain it is properly located in between the tension discs.



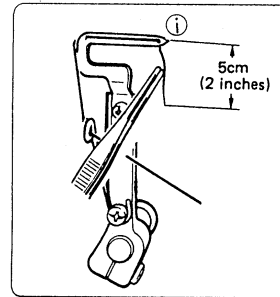
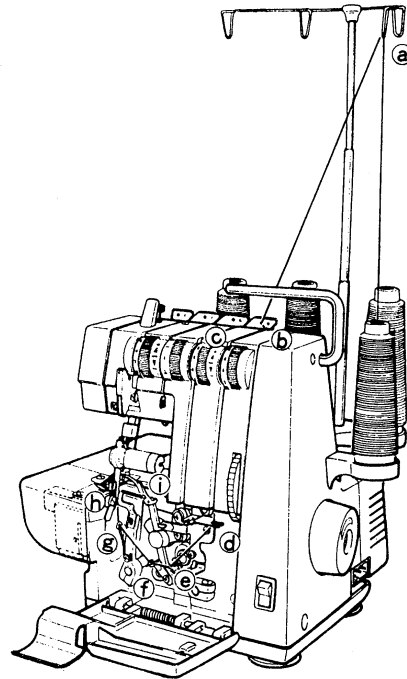
- Use tweezers provided in the accessory set when threading looper thread hole ⑧ .
- Draw about 5cm (2 inches) of thread from the looper thread hole.

- (2) Thread left looper in sequence from **a** to **i** (marked in yellow color). Cylinder cover must also be removed when threading this part. (Refer to page 4 for cylinder cover removal).

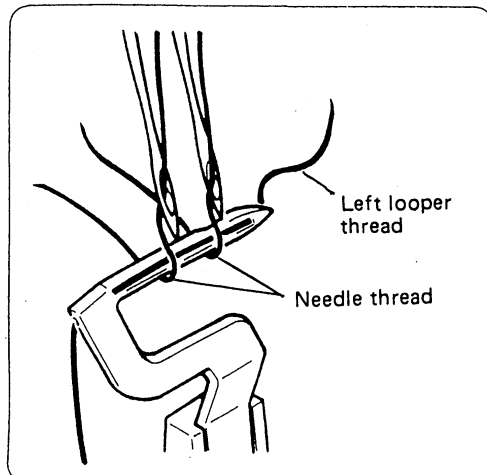
While holding thread with finger, pass it between the tension discs and pull thread down to make certain it is properly located in between the tension discs.



Turn hand wheel toward you until left looper is at left as far as it will go and thread looper thread hole **h** from left to right. (Use tweezers provided in your accessory set).

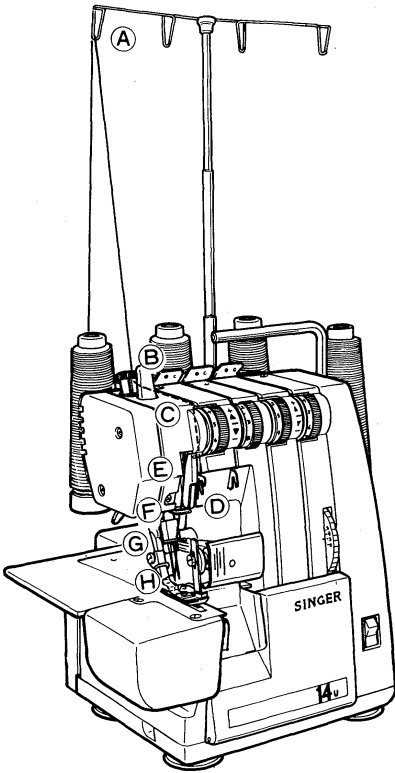


Turn hand wheel toward you until the looper is at right as far as it will go passing the thread under the throat plate, then using the tweezers, thread the looper thread hole **i** from front to back. Draw about 5cm (2 inches) of thread from thread hole.



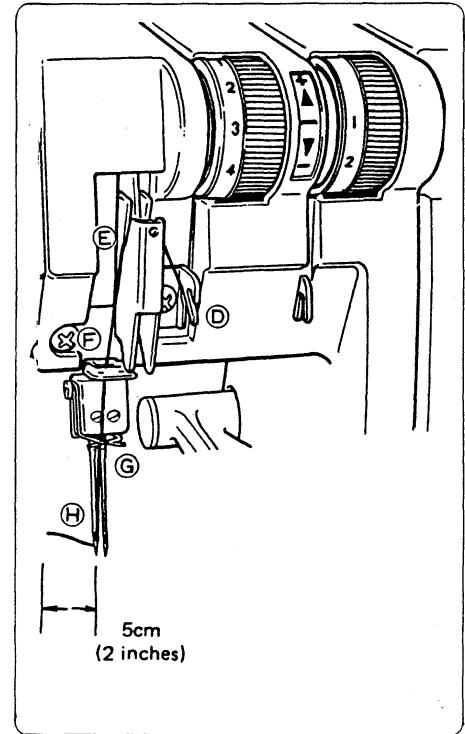
Note: When left looper thread breaks or when changing the thread, be sure to pass the left looper thread through the inner side of the needle thread as shown. If it is difficult to thread the left looper in the manner described above, cut the needle thread and rethread left looper first and then the needle to avoid erroneous threading.

- (3) Thread the left needle thread in the order **A** to **H** (blue mark).
Threading of needle eye **H** becomes easier when the movable knife is set at the non-operating position (See figure on page 12 for movable knife non-operating position).

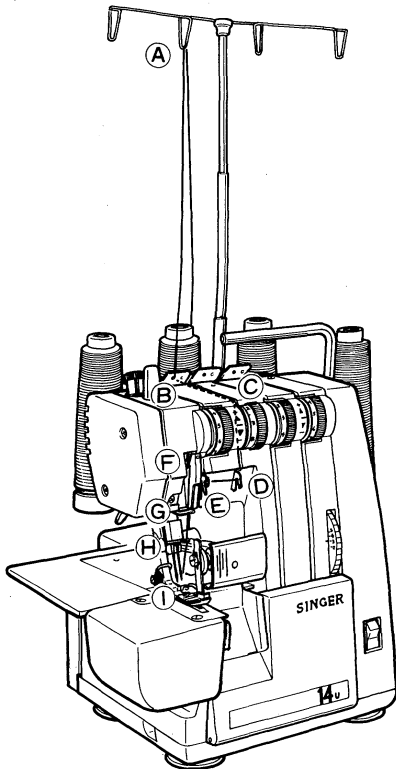


While holding thread with finger, pass it between the tension discs and pull thread down to make certain it is properly located in between the tension discs.

- Lower needle bar when threading **E** and **F**.
- Use tweezers to thread needle eye **H**.
- Draw about 5cm (2 inches) of thread from needle eye.

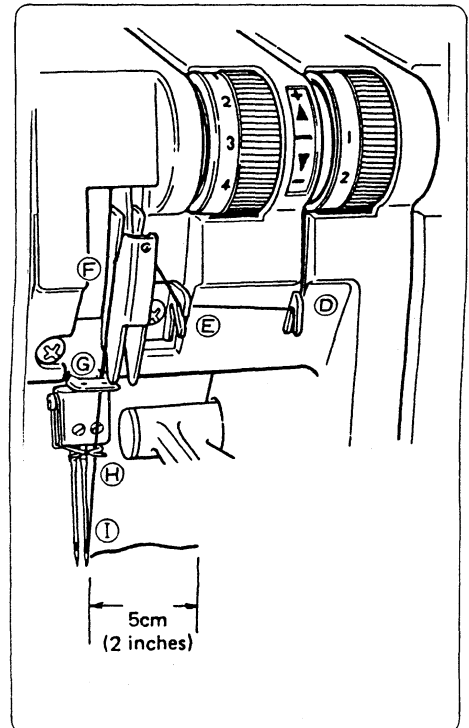


- (4) Thread the right needle thread in the order **A** to **I** (green mark).
Threading of needle eye **I** becomes easier when the movable knife is set at the non-operating position (See figure on page 12 for movable knife non-operating position).



While holding thread with finger, pass it between the tension discs and pull thread down to make certain it is properly located in between the tension discs.

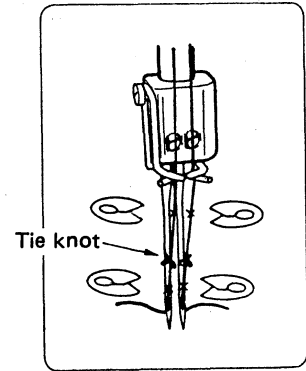
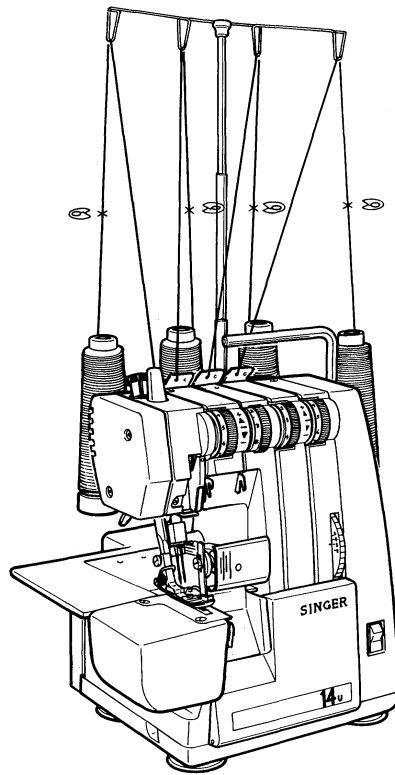
- Lower needle bar when threading **F** and **G**.
- Use tweezers to thread needle eye **I**.
- Draw about 5cm (2 inches) of thread from needle eye.



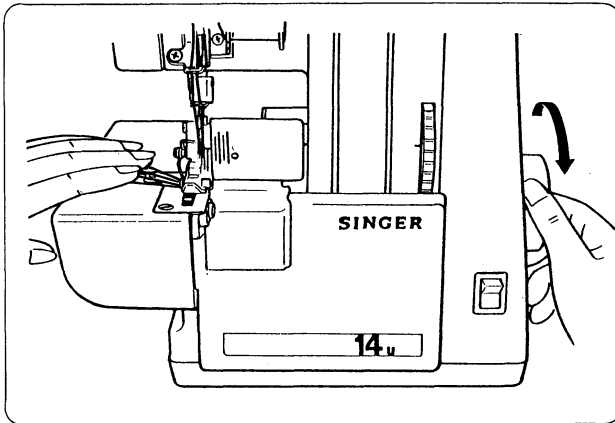
• How to change threads

When you wish to change the left needle thread, right needle thread, left looper thread or right looper thread with a different thread, the following steps will make the changing convenient.

- (1) Cut the thread near the spool and tie the end to the thread you wish to change to as shown in figure at right.
- (2) Raise presser foot.
- (3) Note tension reference numbers.
- (4) Turn the tension dials down toward the (-) mark until the dial stops and draw the thread out so that the tie knot of the threads extend about 5cm (2 inches) from the presser foot. When drawing needle thread through the needle eye, stop the tie knot before the needle eye, cut the thread and pass it through the needle eye.
- (5) Return tension dials to reference numbers.

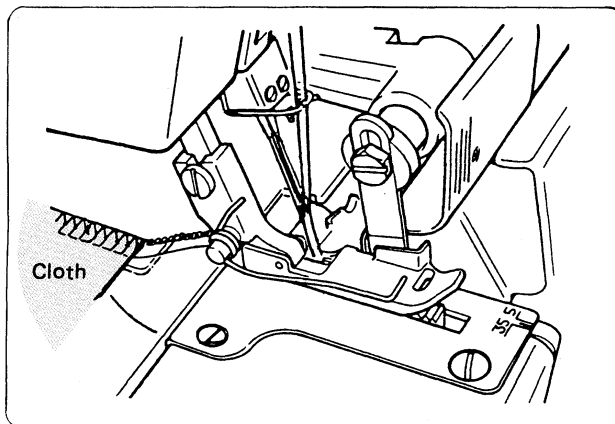


4. Chain off and test sew



When the machine is completely threaded, turn the hand wheel toward you 2 or 3 turns while holding the 4 threads applying a slight tension as shown in figure at left.

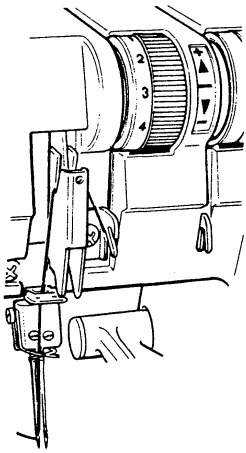
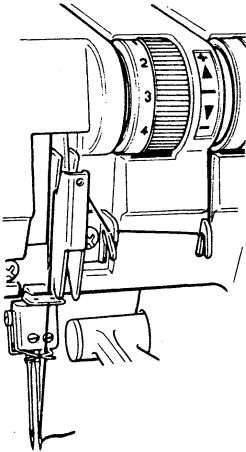
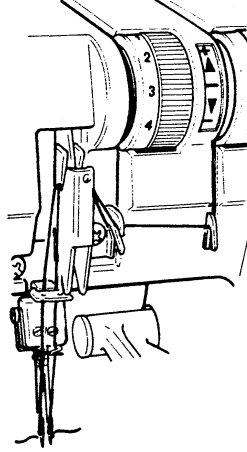
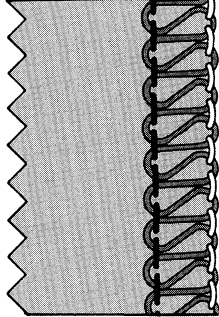
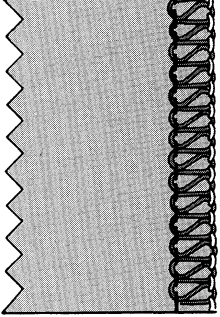
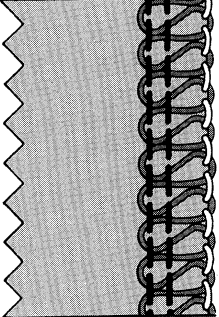
After chaining off, make a test stitch on a sample of your fabric so that you can adjust the thread tensions correctly.



After completing the seam, chain off approx. 5 cm (2 inches) as shown in figure at left and cut thread with scissors.

5. 1–Needle, 3–Threads overedge stitching

This is a two needles four threads overedge machine but one needle three threads overedge can be done by means of using only the left or right needle and three threads.

No. of thread	3 threads	3 threads	4 threads	
Overedge width	5.7mm	3.5mm	5.7mm	
Needle used	Left needle	Right needle	Left and Right needle	
Needle thread Tension dial	Blue	Green	Blue	Green
Threading				
Stitch Type				

6. How to adjust thread tension

Adjust thread tension to suit the type of material and size of the thread used. The thread tension dials on this machine are a one-turn system and as the number on the thread tension dials increases, the thread tension becomes tighter.

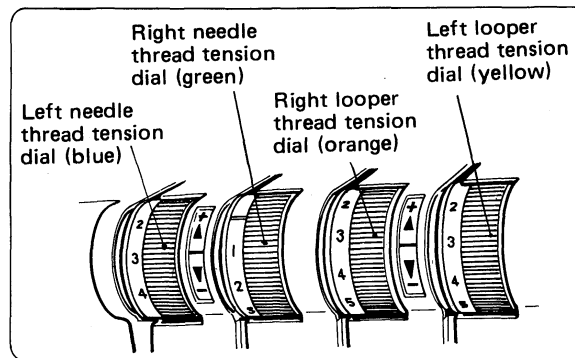
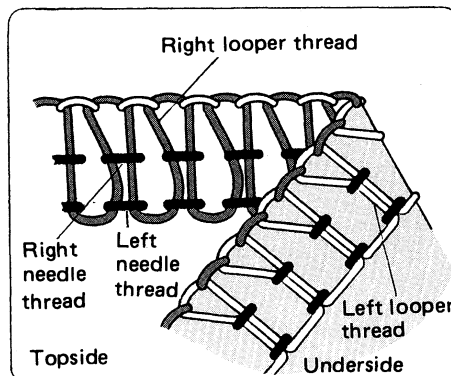
1) 2-needle, 4-thread overedge stitching.

• Correct thread tension

Be sure the threads are correctly threaded otherwise proper thread tension cannot be obtained (See page 5).

Set each of the thread tension dials to the settings shown below and test sew.

Thread tension Fabric	Left needle thread	Right needle thread	Right looper thread	Left looper thread
Light weight	3	2	2,5	2
Medium weight	4	3	2,5	2
Heavy weight	6	5	3,5	2



With following figure as reference, adjust the thread tension dials to obtain correct tension.

<p>When right looper thread lies on the underside of fabric.</p> <p>Turn right looper dial (orange) toward the (+) mark. Or, turn left looper dial (yellow) toward the (-) mark.</p>	<p>When left looper thread appears on the top.</p> <p>Turn left looper dial (yellow) toward the (+) mark. Or, turn right looper dial (orange) toward the (-) mark.</p>
<p>When left needle thread tension is too loose.</p> <p>Turn left needle thread tension dial (blue) toward the (+) mark.</p>	<p>When right needle thread tension is too loose.</p> <p>Turn right needle thread tension dial (green) toward the (+) mark.</p>

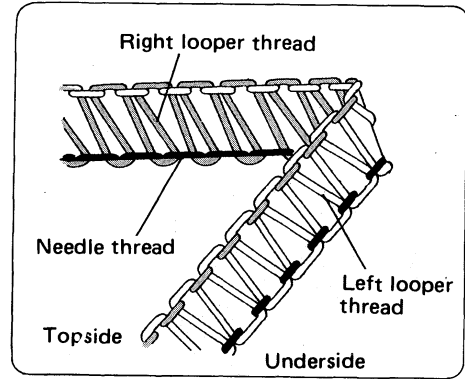
2) Standard 1-needle, 3-thread overedge stitching

This machine can do 1-needle, 3-thread overedge stitching by using only the left or right needle.

• **Correct thread tension**

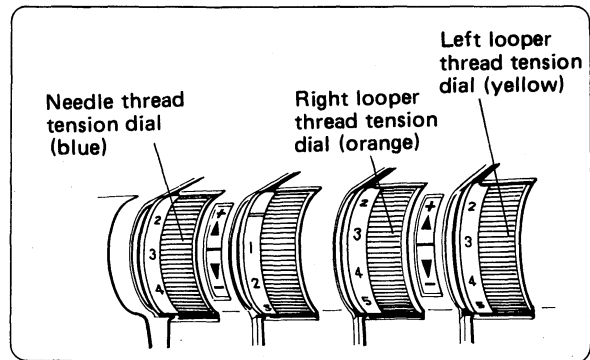
Be sure the threads are correctly threaded otherwise proper thread tension cannot be obtained (See page 5).

Set each of the thread tension dials to the settings shown below and test sew.



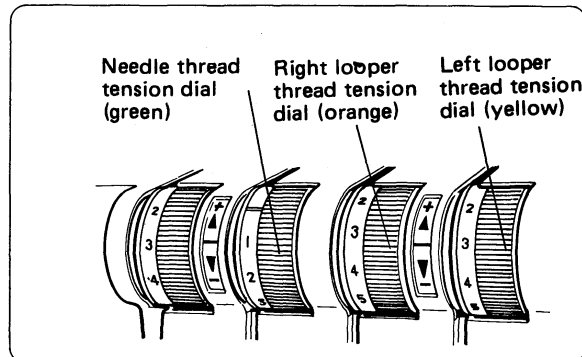
• **When using the left needle, be sure to remove the right needle.**

Thread tension Fabric	Left needle thread	Right looper thread	Left looper thread
Light weight	3	2,5	2
Medium weight	4	2,5	2
Heavy weight	6	3,5	2



• **When using the right needle, be sure to remove the left needle.**

Thread tension Fabric	Right needle thread	Right looper thread	Left looper thread
Light weight	2	2,5	2
Medium weight	3	2,5	2
Heavy weight	5	3,5	2

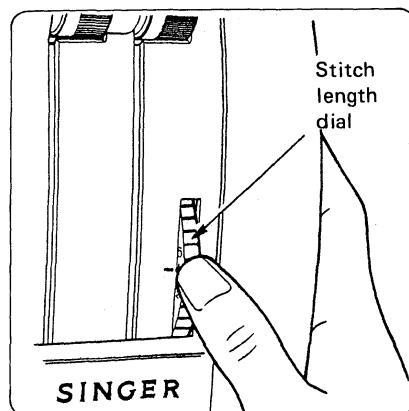


With following figure as reference, adjust the thread tension dials to obtain correct tension.

<p>When right looper thread lies on the underside of fabric.</p> <p>Turn right looper dial (orange) toward the (+) mark. Or, turn left looper dial (yellow) toward the (-) mark.</p>	<p>When left looper thread appears on the top.</p> <p>Turn left looper dial (yellow) toward the (+) mark. Or, turn right looper dial (orange) toward the (-) mark.</p>	<p>When needle thread tension is too loose.</p> <p>Turn needle thread tension dial (green) toward the (+) mark.</p>
---	---	--

7. How to adjust stitch length

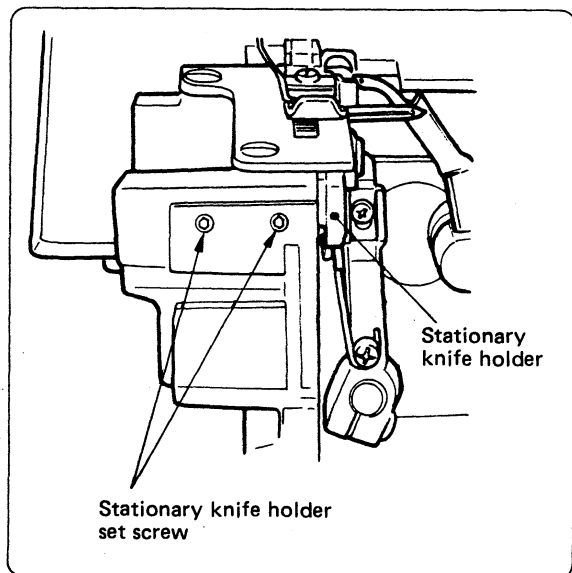
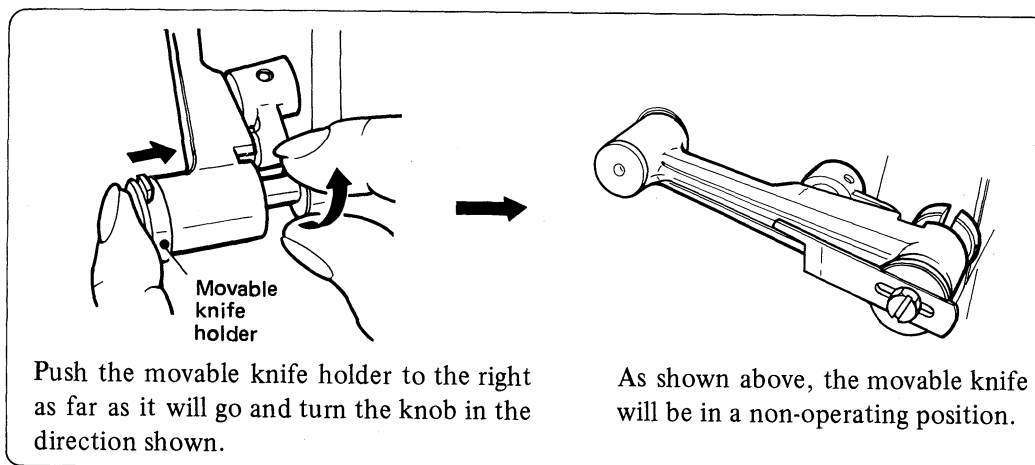
The stitch length dial on this machine is pre-set to 3mm for normal sewing condition. Since the adjustment can be made easily, adjust the stitch length to 4mm when sewing heavy weight fabrics such as quilting and to 2mm when sewing light weight fabrics such as lining fabric, crepe, etc. and you will obtain excellent seams without puckering.



8. How to adjust overedge seam width

Overedge seam width of this machine is set to 3.5 mm for normal sewing with right needle and 5.7 mm with left needle however it can be increased up to 5 mm for overedge heavy weight fabrics with right needle and 7.2 mm with left needle as instructed below.

- (1) Before making the adjustment, be sure that the power line plug is disconnected from the wall receptacle.
- (2) Open the looper cover. (See page 4).
- (3) Turn the hand wheel toward you, lower the movable knife as far as it will go and set it in the non-operating position as shown in figure below.
- (4) Remove the cylinder cover. (See page 4).



- (5) Loosen the 2 stationary knife holder set screws with the hex-head wrench provided in the accessories, move the stationary knife holder to the right or left and tighten the set screw.
(When a wider seam is desired, move the holder to the right and when a narrower seam is desired, move the holder to the left).
Be sure to align the cutting edge of the stationary knife level with the top surface of the throat plate.
- (6) Replace the cylinder cover. (See page 4)
- (7) Return the movable knife to its original position.
- (8) Test Sew

9. How to do rolled hemming

This machine can do the 2 types of standard and right looper thread wrapped rolled hem stitching with a seam width of 1.5mm.

Always remove the left needle

1. Fabric, needle, thread and stitch length

Fabric: Light to medium weight (See page 25)

- Rolled hemming is done by rolling the fabric and overedging (seam width 1.5mm), and is not suited for heavy or stiff fabrics.

Needle: Singer Cat. No. 2054 (#10), #14.

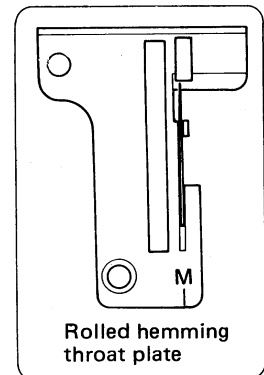
Thread: A variety of thread combinations can be used for rolled hemming.

Stitch length adjustment (See page 12)

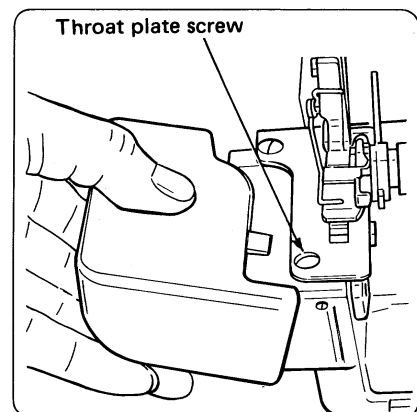
For rolled hemming, set the stitch length dial to “2” or “F” and a fine seam can be obtained.

2. How to exchange throat plate

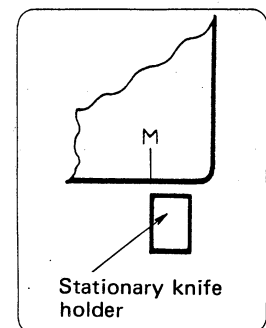
A throat plate for rolled hem stitching has been furnished in the accessories for this machine. By exchanging the ordinary overedge throat plate on the machine with a rolled hemming throat plate by the following procedure, the machine can be used for rolled hem stitching.



1. First of all, always disconnect the power line plug from the receptacle.
2. Turn the hand wheel towards you until the needle is at its highest point.
3. Lift the presser foot.
4. Remove the cylinder cover. (See page 4).
5. Unscrew the throat plate screw (1) and remove the throat plate.
6. Install the rolled hemming throat plate and replace the screw (1).
7. Replace the cylinder cover (see page 4).



- Note:**
- When replacing the throat plate, be careful that the thread is not caught between the throat plate and machine.
 - Set seam width to the “M” mark on the rolled hemming throat plate.
 - To set seam width, align left edge of stationary knife holder with the “M” mark on the rolled hemming throat plate.
Be sure the stationary knife is not in contact with the edge of throat plate.



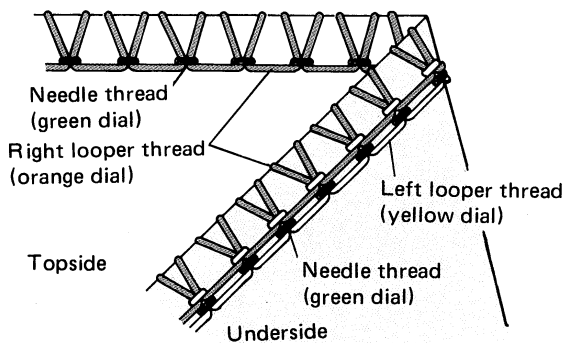
3. How to adjust thread tension

1. Standard rolled hem stitching

As adjustments are the same as 1-needle, 3-thread overedge stitching, refer to page 11.

2. Right looper thread wrapped rolled hem stitching (rolled hem variation)

- Correct thread tension



For light and medium weight fabrics which are difficult to roll, a fine seam can be obtained by this stitching.

To correctly adjust the thread tension, set the dials as follows from the standard thread tension dial settings.

- Turn the right looper thread tension dial (orange) one half graduation toward the (–) mark.
- Turn the left looper thread tension dial (yellow) 2 ~ 3 graduations toward the (+) mark.

Slight adjustment will give better thread tensions.

<p>When right looper thread is too loose</p> <p>Needle thread Right looper thread Left looper thread Topside Underside</p> <p>Turn right looper thread tension dial (orange) toward the (+) mark.</p>	<p>When left looper thread is too loose</p> <p>Needle thread Right looper thread Left looper thread Topside Underside</p> <p>Turn left looper thread tension dial (yellow) toward the (+) mark. Or, turn right looper thread tension dial (orange) toward the (–) mark.</p>	<p>When needle thread is too loose</p> <p>Right looper thread Left looper thread Needle thread Topside Underside</p> <p>Turn needle thread dial (green) toward the (+) mark.</p>
--	--	---

4. How to sew

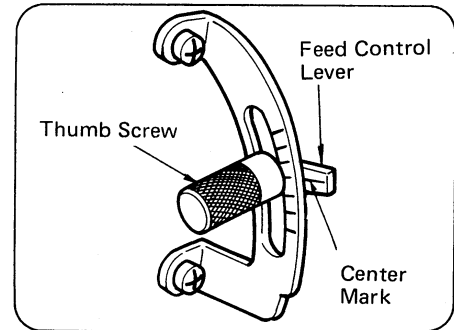
Sewing

- See page 8, “4. Chain off and test sew”.
- For rolled hemming, if a slight tension is applied to the material in the sewing direction, a finer seam finish can be obtained.
- At the start of sewing, slightly pull the end of the chain off so it will not be entangled in the stitch.
- The minimum overedge stitch width that can be obtained for rolled hemming is approximately 1.5mm since the cutting width cannot be set below 3.5mm.

10. Differential feed (with differential feed machine only)

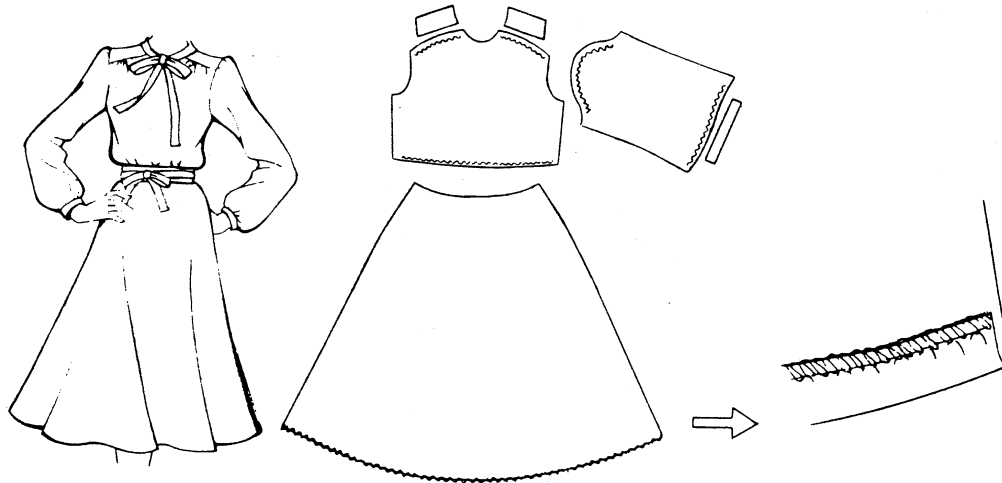
Differential feed is a system which “stretches” or “gathers” the fabric, when amount of feed of front feed dog in relation to the rear feed dog is changed. The differential feed ratio ranges from 1:0.77 ~ 1:2.0. Adjustment is made by means of the differential feed adjusting lever pictured below.

Use of differential feed is very effective in overedging stretch fabrics and fabrics cut on the bias.



● Gathered overedge (Use regular throat plate)

Gathered overedge is most suited for shirring sleeves, yokes, front and back bodices, skirt hems, etc. in stretch fabrics such as knits and jersey before assembling into garment.



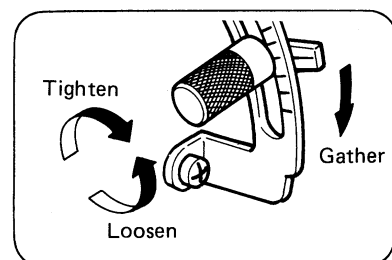
To set the differential feed adjusting lever

- Open looper cover and loosen differential feed adjusting lever thumb screw.
- Slide adjusting lever downward below the center mark, as required, to gather, and tighten the thumb screw.

Note: The setting position of the lever will differ depending on the material being sewn and the amount of feed for shirring.

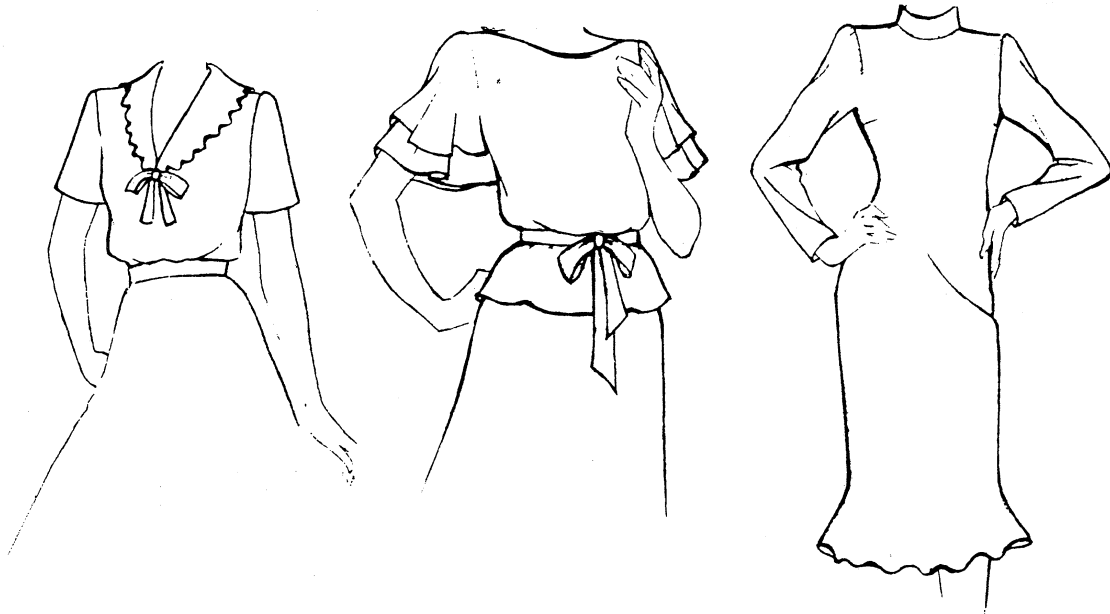
When differential feed adjusting lever is set to maximum gathering ratio, the stitch length dial will automatically move to setting “3” if previous setting was higher than setting “3”.

Be sure to reset the differential feed adjusting lever to center mark for normal overedge stitching.



- **Stretch overedge (Use regular or rolled hemming throat Plate)**

Stretch overedge is ideal for sewing decorative collars, sleeves, skirt hems, etc. on loosely knit and woven fabrics.

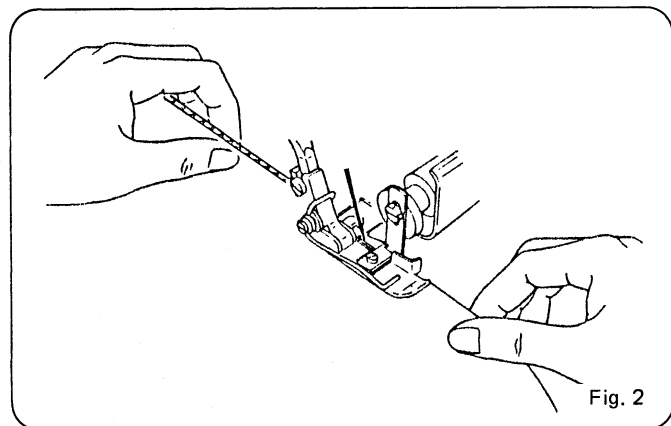
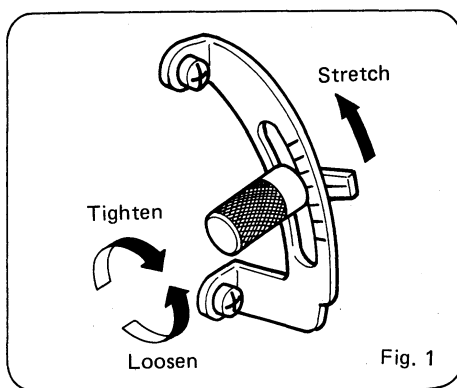


To set the differential feed adjusting lever.

- Open looper cover and loosen differential feed adjusting lever thumb screw.
- Slide adjusting lever upward above the center mark, as required, to stretch, and tighten the thumb screw (Fig. 1)

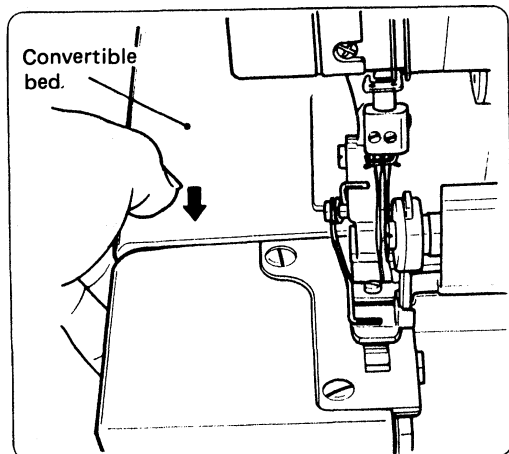
To sew a seam, apply gentle tension to the fabric by holding the seam lightly in front and back of the presser foot. (Fig. 2)

Note: If amount of “stretch” is not correctly set in relation to the fabric being sewn, the fabric is apt to shift away from the needle resulting in improperly sewn overedge seam. In such case, reset differential feed adjusting lever closer to the center mark.



Be sure to reset the differential feed adjusting lever to center mark for normal overedge stitching.

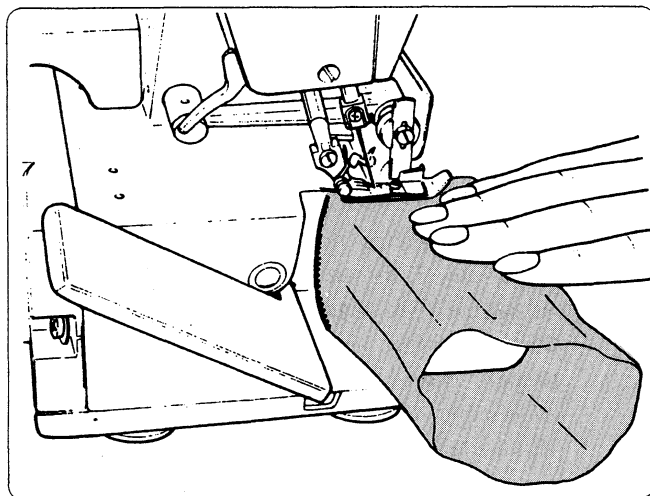
11. Free arm sewing (tubular work)



As shown in figure at left, this machine becomes a free arm machine simply by pushing the convertible bed plate down making tubular work such as sewing sleeves very easy.

This is especially convenient for finishing hard-to-reach areas such as arm holes and overcasting trouser cuffs.

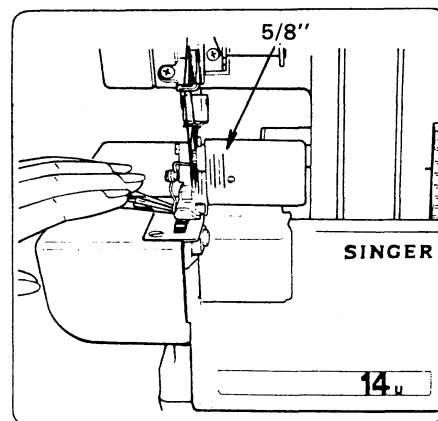
Slip tubular work onto the free arm and sew.



12. Seam guide lines

Use seam guide lines on looper cover to measure seam allowances.

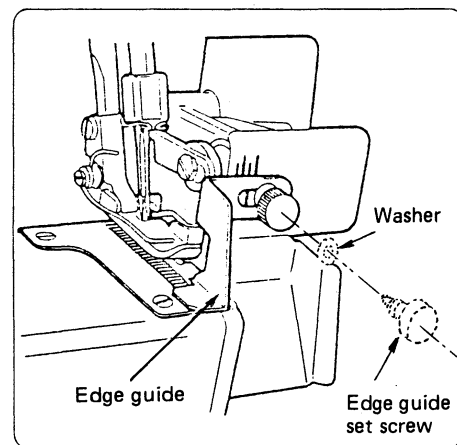
Thick line on extreme right is 5/8 inch from center of right needle. Other lines are 5/64 inch apart.



13. Edge guide (optional parts)

For ornamental and blind (overedge) stitching, use of the edge guide attachment is very convenient.

Attach edge guide as shown in figure.



14. Variation stitch

• Ornamental 3 thread stitching

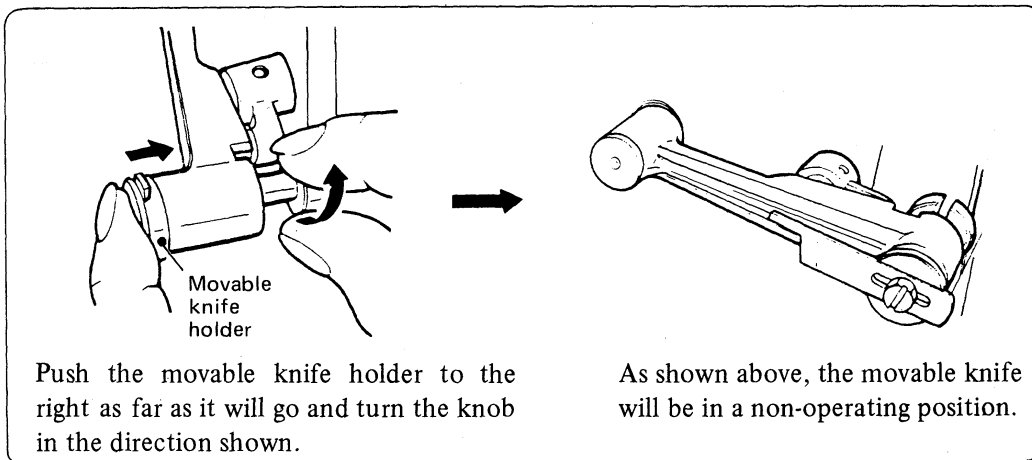
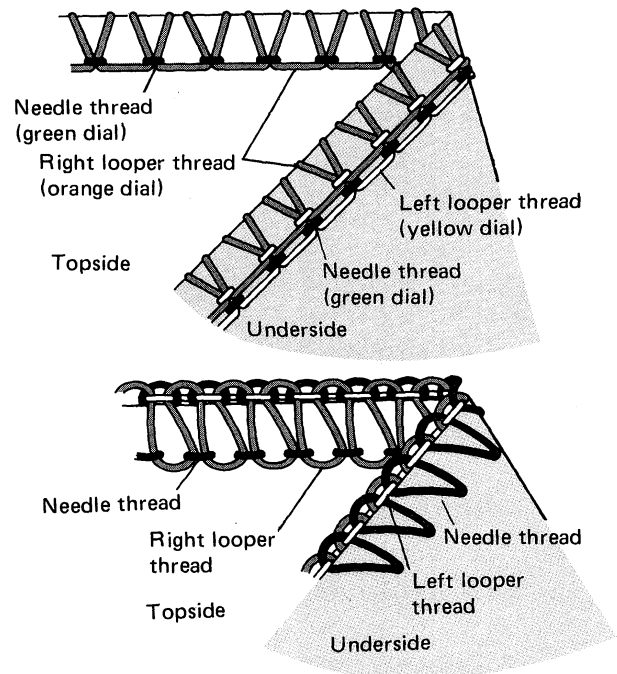
Ornamental stitching can be used for various applications.

Preparation

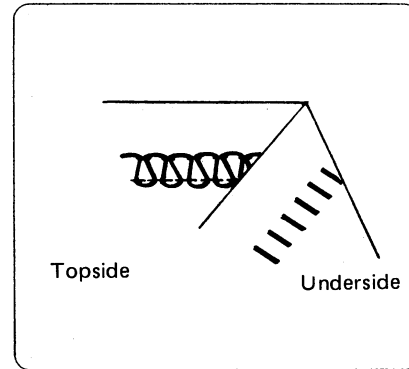
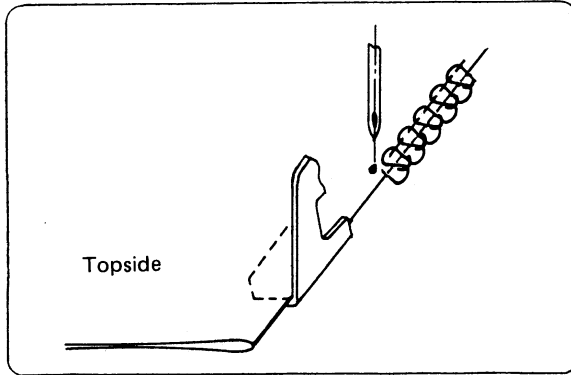
- Use ordinary overedge throat plate.
- Remove left needle.
- The right looper thread forms the decorative stitch, therefore fine and unobtrusive threads should be used for the needle and left looper.

Example: Right looper thread Woolly nylon
 Left looper thread extra fine
 Needle thread extra fine
 Stitch length 2 – 3

1. Set thread tensions to normal sewing condition for 1 needle, 3 thread overedge stitch and make a test sample. (See page 11).
 - When making above adjustment, the right looper thread tension should be adjusted as possible.
 - Make a test sample with two ply fabric.
2. Turn left Looper thread tension dial (yellow) toward (+) mark so that the right looper thread will come as close as possible to the needle thread as shown in the sketch.
3. Turn needle thread tension dial (green) toward (-) mark so that right looper thread, left looper thread and needle thread will all come to the edge of fabric as shown in the sketch.
4. Open looper cover.
5. Turn hand wheel toward you to bring movable knife to its lowest position and place it in the non-operating position as shown in sketch below.



6. Attach edge guide (optional parts) to machine.
7. Fold fabric in half with the wrong side facing up.
8. Place fabric under the foot with the fold resting against the wall of edge guide. Adjust edge guide so that it is positioned in the center of the seam width as shown in the sketch.
9. When stitching is completed, unfold fabric and press the stitching from the underside of the fabric.



• 3-Thread blindstitching

Blindstitching provides a durable hem finish that is almost invisible. It is best suited for sewing cuffs on knitwear and skirt hems.

Preparation

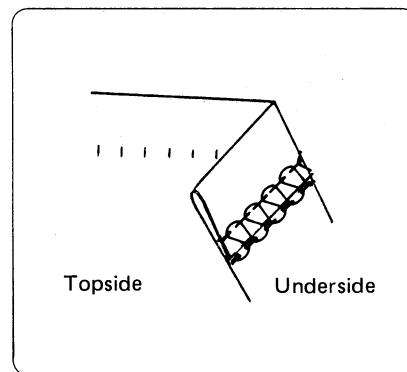
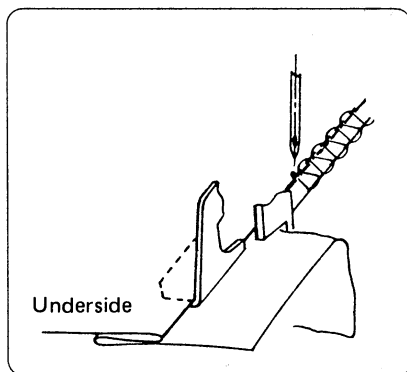
Remove left needle

Material Knit fabric

Throat plate Ordinary overedge throat plate

Thread tensions Set tensions to normal sewing condition for 1 needle, 3 thread overedge stitching (see page 11).

Stitch length dial Set stitch length dial to 4–5.



With the underside up, place the threefold fabric under the foot with the soft fold resting against the wall of edge guide as shown in the sketch. Lower the foot, and make a test sample to see that the needle will pierce the edge of the fold. Adjust position of edge guide if necessary.

• Braiding by chaining-off

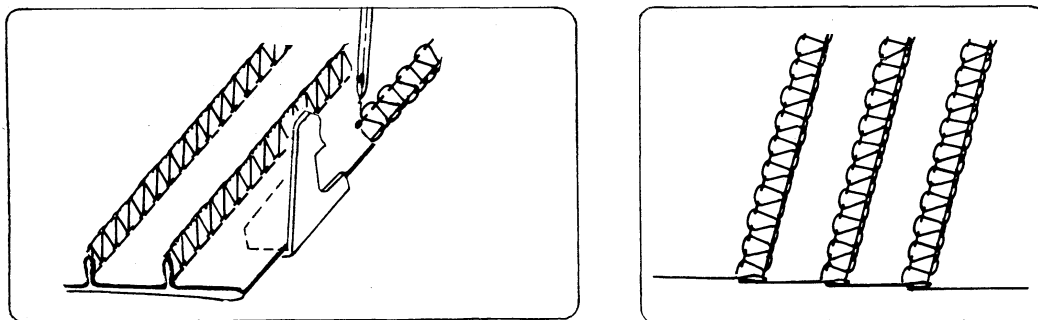
Chained-off braids can be used for making 3 ply or 4 ply braids.

To make chained-off braids, place movable knife in the non-operating position. Insert filler cord such as woollen yarn or tape through hole in foot and chain-off.

• 3-Thread pin tucking

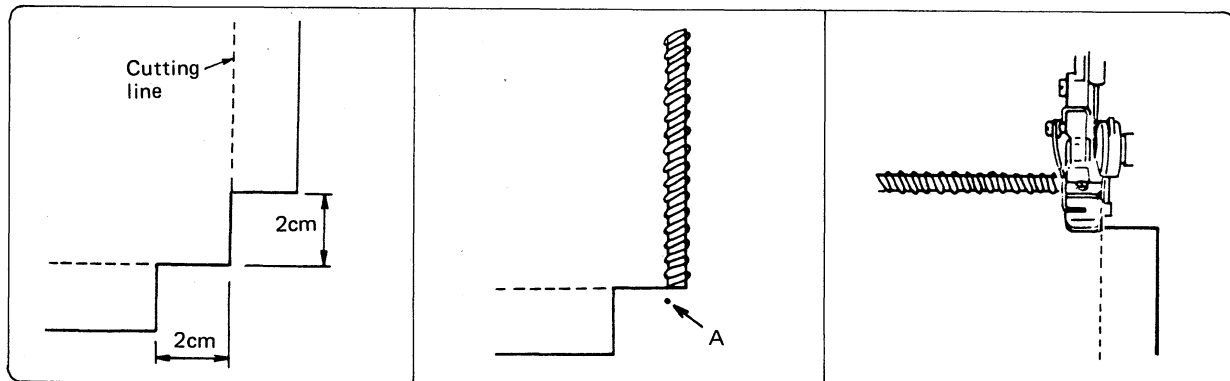
Pin tucking is a useful decoration when sewing blouses and children's clothes. Pin tucking is accomplished before cutting out garment.

- Use ordinary overedge throat plate or rolled hemming throat plate.
- Remove left needle.
- Before sewing on your garment, always make a test stitch on a sample of your fabric so that you can adjust the thread tensions correctly for standard 1 needle, 3 thread overedge stitching.
- Place movable knife in non-operating position.
- Fold fabric in half with the wrong side facing.
- Place fabric under the foot with the fold resting against the wall of edge guide. (optional parts)
- Adjust edge guide (optional parts) so that the stitches will just overcast the edge of the fold as shown in the sketch.
- Lower the foot and sew. When stitching is completed, press pin tuck to lay flat on one side.



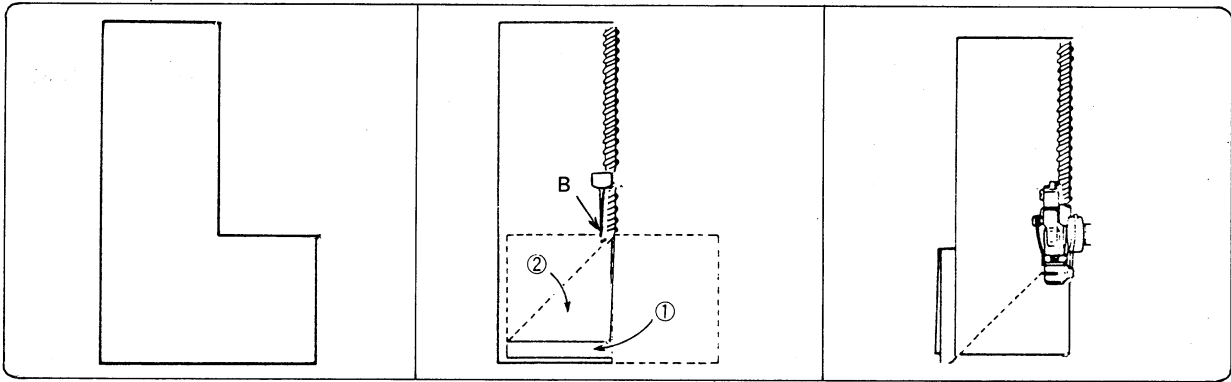
• Turning square corners

Outside corner



1. Cut out approximately 2cm from the corner in line with the overedge seam edge.
2. Sew to point A, one stitch beyond edge of fabric and stop machine.
3. Raise needle and presser foot.
4. Pull fabric to the rear of machine just enough to release the thread caught on the finger of the throat plate.
5. Turn fabric and lower presser foot so that its finger is positioned on the edge of fabric.
6. Pull slack threads up, then start to sew.

Inside corner



1. Cut fabric at seam edge.
2. Place movable knife in non-operating position.
3. Fold fabric as shown in sketch.
4. Sew to point B, as close as possible to the diagonal fold. Leave needle in fabric.
5. Raise presser foot, leaving the needle in the fabric.
6. Refold fabric so that the overedge is in line with the already sewn seam.

15. How to replace needles

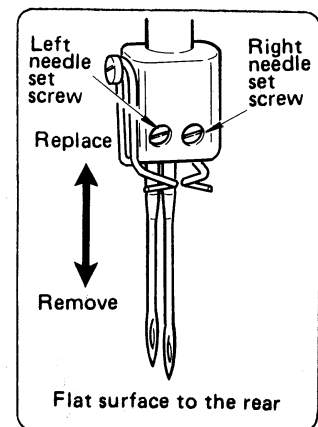
Use Singer needles Cat. No. 2054 available in sizes #14 and (#10)

To remove the needles:

- Be sure the power line plug is disconnected from the wall receptacle.
- Turn the hand wheel toward you until the needle is at its highest position. Loosen the needle set screw with a screwdriver and remove needles.

To replace the needle:

- Insert the needles into the needle bar hole as far as they will go with flat surface to the rear and securely tighten the needle set screw.

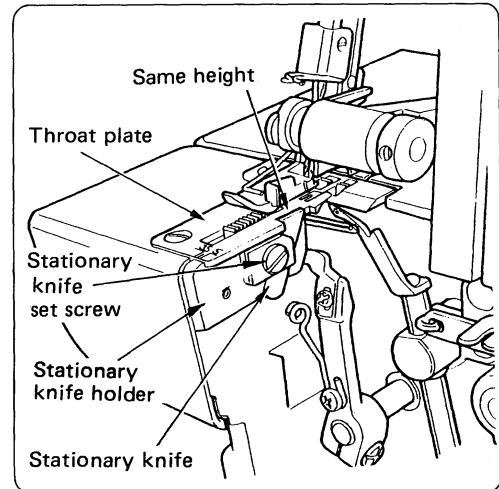


16. How to replace stationary knife

The stationary knife should be changed when it becomes dull.

The stationary knife can be replaced according to the following steps, however if there are any difficulties experienced, call your Singer representative to make the adjustment.

- (1) Be sure that the power line plug is disconnected from the wall receptacle.
- (2) Open the looper cover and set the movable knife in the non-operating position (see page 12).
- (3) Loosen the stationary knife set screw and remove the stationary knife.
- (4) Place a new stationary knife in the groove of the stationary knife holder, align the cutting edge level with the top surface of the throat plate and tighten set screw.
- (5) Return the movable knife to its original position.



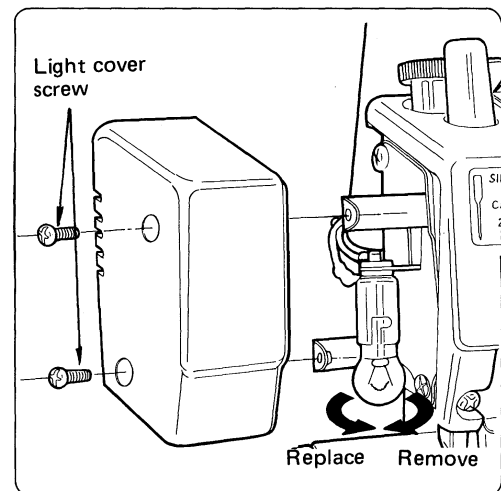
17. How to exchange light bulb

Danger: Always unplug before relamping.

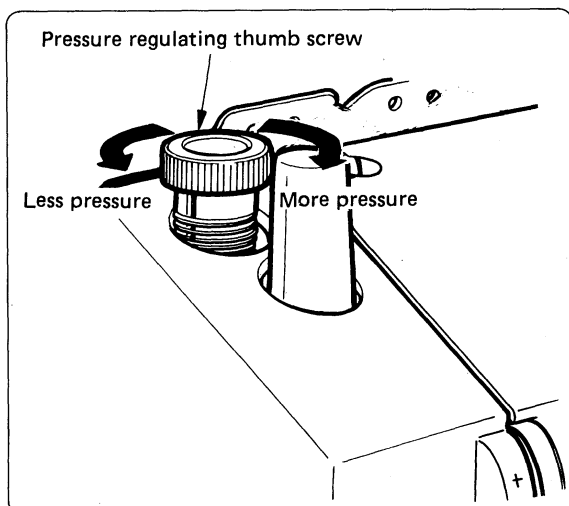
Light bulb (available from your Singer Dealer) is a bayonet type 12 volt, 6 watt bulb.

Disconnect power line plug.

Remove light cover as shown in figure, turn bulb to left and remove. To replace, push bulb into socket and turn to right.



18. How to adjust presser foot pressure



The presser foot pressure of this machine is preadjusted at the factory to suit the sewing of medium weight fabrics.

It may become necessary to adjust the pressure in the case of delicate or heavy weight fabric.

For light weight fabric – Decrease the pressure (as shown at left).

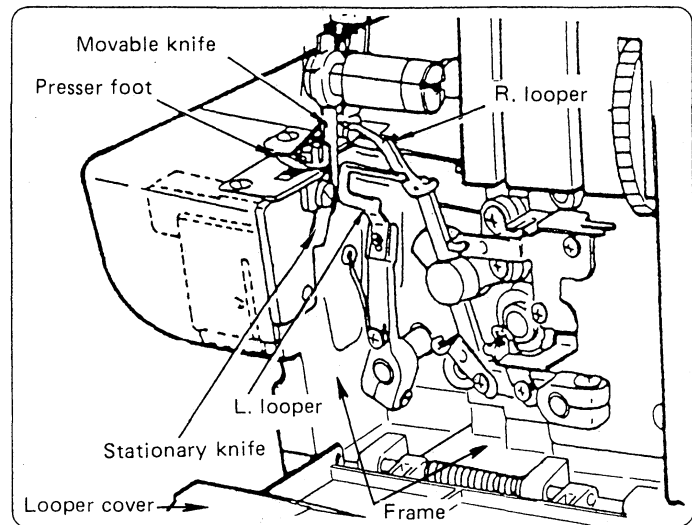
Heavy weight fabric – Increase the pressure (as shown at left).

19. Cleaning

Your machine will serve you perfectly for many years if you take a few moments of your time to keep it clean.

Danger: Before cleaning your machine, disconnect power line plug from the wall receptacle.

Open looper cover and remove lint and fluff which may have accumulated around the areas shown with arrows.



20. Reasons for poor stitches and how to make adjustment

Whenever sewing difficulty is encountered, make the adjustments as noted below.

Condition	Reason	Method of Adjustments (reference pages)
When the fabric is not feeding.	<ul style="list-style-type: none"> • Insufficient presser foot pressure. 	<ul style="list-style-type: none"> • Increase presser foot pressure (page 22).
When the needle breaks.	<ul style="list-style-type: none"> • Needle not inserted properly. • Fabric being pulled too hard. • Loose needle set screw. 	<ul style="list-style-type: none"> • Insert needle correctly or replace with correct needle (page 21). • Do not pull the fabric by hand. Use hand only to guide the fabric. • Tighten screw firmly.
When the thread breaks.	<ul style="list-style-type: none"> • Incorrect threading. • Bent needle or needle point damaged. • Thread tension too tight. • Thread tangled. • Needle inserted incorrectly. 	<ul style="list-style-type: none"> • Thread machine correctly (page 5). • Replace needle (page 21). • Adjust tension (page 10). • Thread correctly (page 5). • Insert needle correctly (page 21).
When stitches skip.	<ul style="list-style-type: none"> • Needle bent or needle point damaged. • Needle set loosely. • Incorrect threading. • Wrong needle used. • Insufficient presser foot pressure. 	<ul style="list-style-type: none"> • Replace needle (page 21). • Set needle firmly in position (page 21). • Thread machine correctly (page 5). • Use Singer Cat. 2054, #14. • Increase presser foot pressure (page 22).
When stitches are irregular.	<ul style="list-style-type: none"> • Thread tension not balanced. 	<ul style="list-style-type: none"> • Adjust tensions (page 10).
When fabric puckers	<ul style="list-style-type: none"> • Thread tension too tight. • Threading incorrect or tangled. 	<ul style="list-style-type: none"> • Adjust tension (page 10). • Rethread machine (page 5).
When the machine does not operate.	<ul style="list-style-type: none"> • Power line plug not connected. 	<ul style="list-style-type: none"> • Connect with power source.

21. Relationship between cloth, thread and needle

Type of Fabric	Type of Thread	Needle Singer Cat. No. 2054
Light Weight Lawn, Organdy, Voil, Crepe, etc.	Cotton #100 Silk #100 Spun #80 – #90 Tetron #80 – #100	(#10), #14
Medium Weight Muslin, Sheersucker, Satin, Gabardine Broadcloth, etc.	Cotton #60 – #80 Silk #50 Spun #60 – #80 Tetron #60 – #80	#14
Heavy Weight Oxford, Denim Tweed*, Corduroy Serge	Cotton #40 – #60 Silk #40 – #60 Spun #60 – #80 Tetron #50 – #80	#14
Knit Tricot Jersey Wool (woven, knit)	Spun #80 – #90 Tetron #60 – #80	(#10), #14
	Spun #60 – #80 Tetron #60 – #80 Cotton #60 – #80	#14
	Spun #60 – #80 Tetron #50 – #60 Woolly nylon Woolly tetron	#14

Singer needle, Cat. No. 2054-42 is furnished with the machine however, the following variety needles are available for use on the 14U machines.

Cat. No. 2054-42 (Regular point)

Cat. No. 2054-06 (Ball point, for knit fabrics)

It is recommended that you select your needle in accordance with the material you are sewing.

22. Accessories

1. Needle pack	1
2. Screwdriver (medium size)	1
3. Screwdriver (small size)	1
4. Tweezers	1
5. Rolled hemming throat plate	1
6. Hex-head wrench	1

23. Specification

Item	Specification
Sewing speed	1,300 spm maximum
Stitch length (feed amount)	1 ~ 5mm (Standard: Rolled hemming F ~ 2, ordinary overedge 3)
Differential feed ratio	1:0.77 ~ 1:2 (with differential feed machine)
Overedge stitch width	Rolled hemming 1.5mm, ordinary overedge 3.5 ~ 7.2mm (standard 3.5mm)
Needle bar stroke	27mm
Presser foot rise	5mm
Needle	Rolled hemming Singer Cat. No. 2054 (#10), #14 Ordinary overedge Singer Cat. No. 2054 (#10), #14
Number of threads	4
Machine dimensions	width 257mm x depth 231mm x height 313mm
Weight	14U 34B : 5.6 kg 14U 234B : 6.0 kg

